

Series - Smart B

Code - 235102

Finish - Chrome

WELS - 6 Star - 1.5 or 3 or 5.5lpm available

Activation - Infrared sensor (adjustable)

Installation - Bench Mount

Water Supply - Cold or Pre Mixed

Water Temp - Max 70`c

Warranty - 2 years

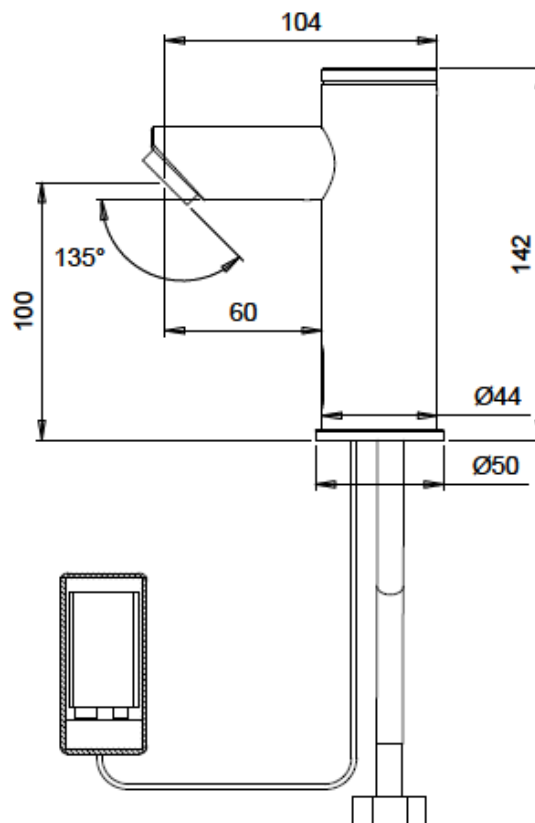
Operating Pressure - 0.5 - 8 bar

Power Source - 9V Alkaline Battery

Soap Dispenser - Available

Use - The faucet will automatically activate when users place their hands in the sensor range and will stop once the users remove their hands. Ideal for but not limited to shopping malls, sport facilities, doctor surgery's and entertainment centres.

stern
STERN ENGINEERING LTD.



Gro Agencies Pty Ltd
Showroom: Unit 2, 37 Howe Street, Osborne Park, WA
Ph: 08 9446 3288 E: info@groagencies.com.au W: groagencies.com.au

